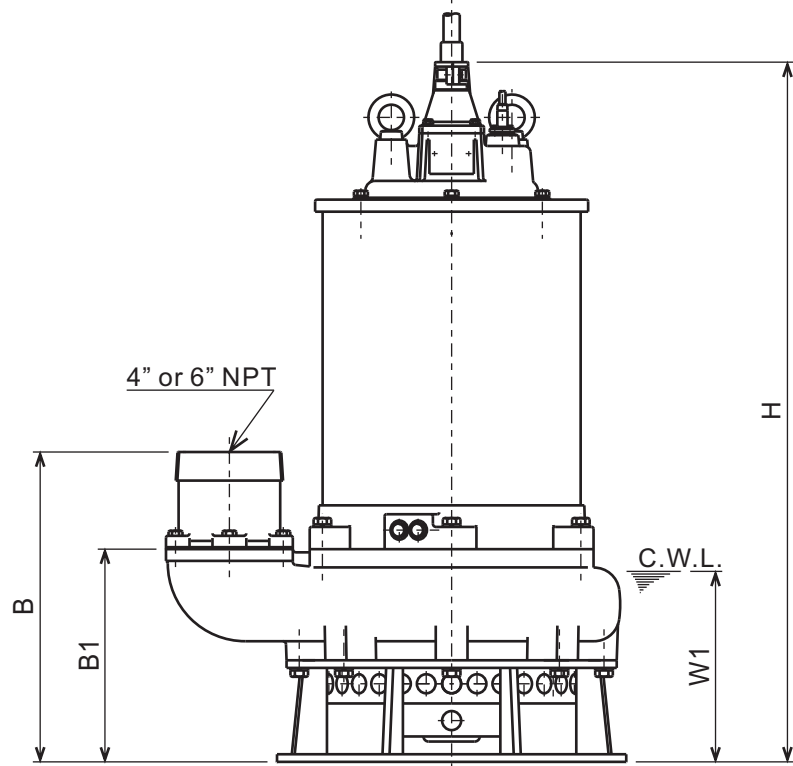
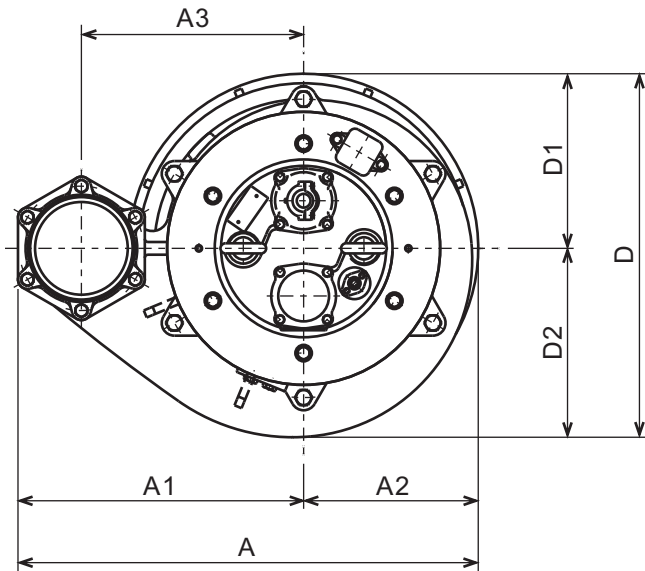




**GPN - SERIES**  
**SUBMERSIBLE AGITATOR PUMPS**

**DIMENSIONS**

**GPN422-61**  
**GPN622-61**



C.W.L. : Continuous running Water Level

**DIMENSIONS:USCS (Inch)**

Model	HP	NOM. SIZE	Pump & Motor									C.W.L. W1	*Wt. (lbs.)	
			A	A1	A2	A3	B	B1	D	D1	D2			H
GPN422-61	30	4"	28 9/16	17 11/16	10 13/16	13 3/4	19 3/16	13 3/16	22 1/2	10 13/16	11 11/16	43 3/8	11 3/4	915
GPN622-61	30	6"	28 9/16	17 11/16	10 13/16	13 3/4	19 3/16	13 3/16	22 1/2	10 13/16	11 11/16	43 3/8	11 3/4	915

**DIMENSIONS:METRIC (mm)**

Model	kW	NOM. SIZE	Pump & Motor									C.W.L. W1	*Wt. (kg)	
			A	A1	A2	A3	B	B1	D	D1	D2			H
GPN422-61	22	100	725	450	275	350	488	335	572	275	297	1102	300	415
GPN622-61	22	150	725	450	275	350	488	335	572	275	297	1102	300	415

\*Excluding Cable

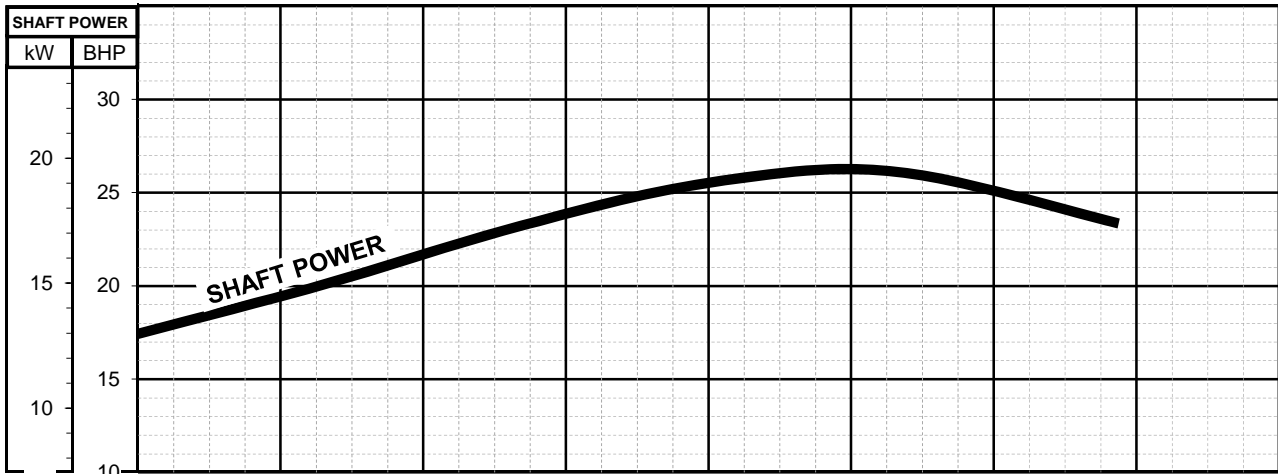
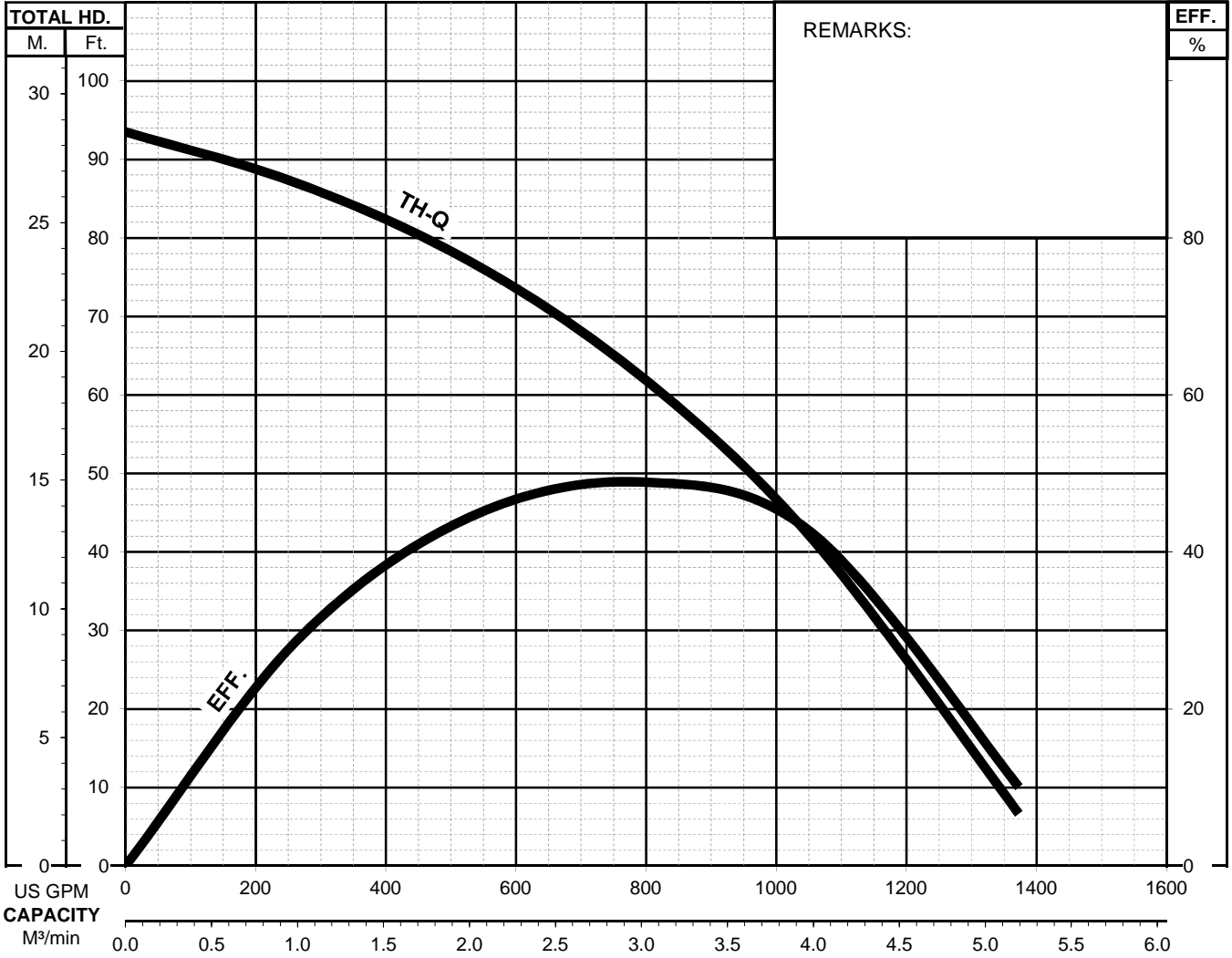


# GPN - SERIES

SUBMERSIBLE AGITATOR PUMPS

PERFORMANCE  
CURVE

MODEL	BORE	HP	KW	RPM	SOLIDS DIA.	LIQUID	SG.	VISCOSITY	TEMP.
GPN622-61	6"/150mm	30.0	22.0	1750	1.18"/30mm	Water	1.0	1.123cSt.	60°F
PUMP TYPE	PHASE	VOLTAGE	AMPERAGE	HZ	STARTING METHOD	INS. CLASS			
Dewatering Pump	3	460 / 575	36.5 / 29.5	60	Direct On Line	F			
CURVE No.	DATE	PHASE	VOLTAGE	AMPERAGE	HZ	STARTING METHOD	INS. CLASS		
-	-	-	-	-	-	-	-		

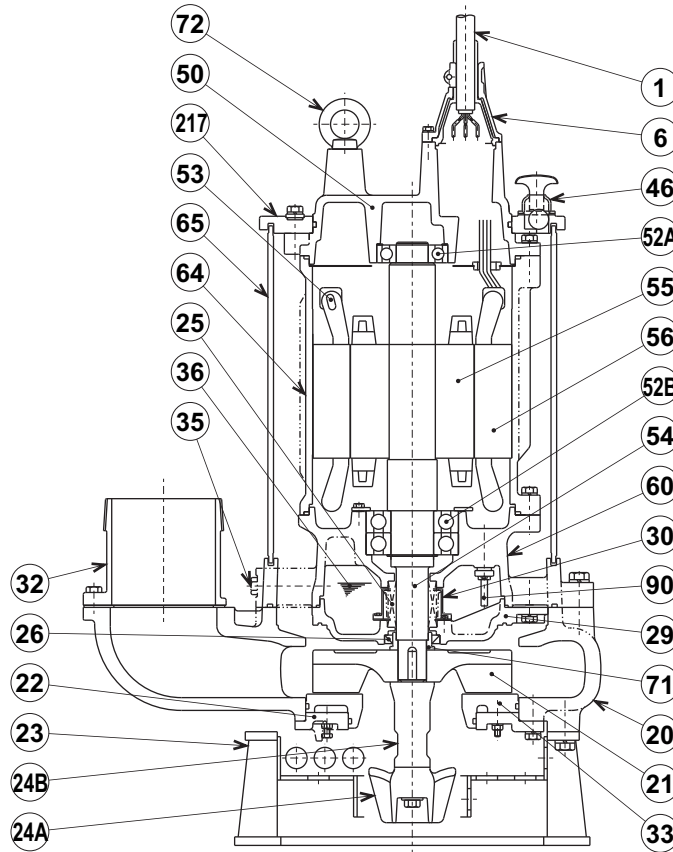




**GPN - SERIES**  
**SUBMERSIBLE AGITATOR PUMPS**

**SECTIONAL VIEW**

**GPN422-61**  
**GPN622-61**



ITEM#	DESCRIPTION	MAIN MATERIAL / NOTE	RELATED ASTM, AISI CODE	RELATED EN CODE	Q'TY
1	Power Cable	Chloroprene Sheath AWG 6/4 , 14/3 -50ft			1
6	Stuffing Box	Cast Iron	A48M Class30B	EN 1561 GJL-200	1
20	Pump Casing	Cast Iron	A48M Class30B	EN 1561 GJL-200	1
21	Impeller	High Chrome Cast Iron	A532 Class III Type A	DIN 1695 G-X260Cr27	1
22	Suction Cover	Cast Iron	A48M Class30B	EN 1561 GJL-200	1
23	Strainer Stand	Steel (Cold Rolled) + Steel Pipe	A109/A1008 + A53 Type F	EN 10130 + DIN 1615 St33	1
24A	Agitator	High Chrome Cast Iron	A532 Class III Type A	DIN 1695 G-X260Cr27	1
24B	Clutch	Malleable Cast Iron (Hardened)	A47M Grade 22010	EN 1562 GJMB-350-10	1
25	Mechanical Seal	Silicon Carbide / H-50			1
26	Oil Seal	Nitrile Butadiene Rubber / TC-608212			1
29	Oil Casing	Cast Iron	A48M Class30B	EN 1561 GJL-200	1
30	Oil Lifter	PBT Resin			1
32	Discharge Connection	Cast Iron / NPT 4" or 6"	A48M Class30B	EN 1561 GJL-200	1
33	Suction Plate	High Chrome Cast Iron	A532 Class III Type A	DIN 1695 G-X260Cr27	1
35	Oil Plug	Stainless Steel	S 30400	1.4301	2
36	Lubricant	Turbine Oil ISO VG32 or SAE 10W-20			
46	Air Valve	Steel (Cold Rolled)	A109/A1008	EN 10130	1
50	Motor Head Cover	Cast Iron	A48M Class25B	EN 1561 GJL-150	1
52A	Upper Bearing	#6309ZZC3			1
52B	Lower Bearing	#6312ZZD2C3			1
53	Motor Protector				3
54	Shaft	Chrome-Molybden Alloy H-Steel	AISI 4135H	ISO 683-1 34CrMo4	1
55	Rotor				1
56	Stator				1
60	Bearing Housing	Cast Iron	A48M Class25B	EN 1561 GJL-150	1
64	Motor Housing	Cast Iron	A48M Class25B	EN 1561 GJL-150	1
65	Outer Cover	Steel	A283 Grade D	EN 10025 S275	1
71	Shaft Sleeve	Stainless Steel	S 40300	1.4000	1
72	Lifting Lug Bolt	Steel	A283 Grade D	EN 10025 S275	2
90	Leak Sensor (Electrode)	Stainless Steel	S 30300	1.4305	1
217	Fixing Plate	Cast Iron	A48M Class30B	EN 1561 GJL-200	1

PARTS LIST		AGITATOR PUMP			4/30/2021	
ITEM	PART No.	DESCRIPTION	QTY	SIZE	MATERIAL	NOTES
1	009-116-10	Terminal	3	R-2-4	CU	
2	009-107-18	Terminal	4	R-14-6	CU	
3	140-035-14	Hex.Bolt	3	M6x20	SUS304	
4	010-101-16	Cable Clip	2	No.3	SPC	
5	010-128-19	Cable Clip Rubber	1	75x80x2t	NBR	
6	141-004-17	Hex.Nut	3	M6	SUS304	
7	001-010-25	Cabtyre Cable Assembly (50') 460V-60Hz (USA)	1	2PNCTF Multi-core 7Cx14mm2	(V/m)	
8	140-488-16	Hex.Bolt (w/Spring Washer)	4	M8x30	SUS304	
9	006-127-15	Stuffing Box	1	No.3	FC	
10	008-145-15	Mould Cover 460V-60Hz(USA)	1	KR3-7	CR	
11	070-107-18	Cable Clamp	1		FC	
12	140-035-14	Hex.Bolt	2	M6x20	SUS304	
		Lead wire (Grounding)	1	8mm2x260L		
13	143-041-12	Pan Screw	1	M6x8	SWRM	
14	009-106-17	Terminal	2	R-8-6	CU	
15	141-004-59	Hex.Nut	4	M6	SWRM	
16	009-107-18	Terminal	4	R-14-6	CU	
17	009-106-17	Terminal	2	R-8-6	CU	
18	200-000-23	Insulation Tape		540S (0.18T-25W*30M)		
19	002-000-18	Heat Shrink Tube (Sold per meter)	m	W3F2 (3/4 inch)	(V/m)	
	002-164-12	Heat Shrink Tube (Sold per meter)	m	A4 (d13.2x0.3t)	(V/m)	
20	140-030-35	Hex.Bolt	4	M6x12	SWRM	
21	009-114-18	Connector	3	PC-4020M		
22	009-115-19	Connector	3	PC-4020F		
23	140-427-17	Hex.Bolt (w/Plain Washer)	2	M5x15	SUS304	
24	003-175-19	Blind Cover	1	LB	SUS304	
25	121-000-01	Packing (Blind Cover)	1	LB	NBR	
26	011-101-19	Shackle	1	6mm	SS	
27	095-132-19	Chain	1	4mm(6L)	SS	
28	072-125-47	Eye Bolt	2	M20	SS	
29	140-052-17	Hex.Bolt	2	M8x16	SUS304	
30	142-163-18	Spring Washer	2	M8	SUS304	
31	046-000-05	Air Release Valve	1	GSZ/NKZ/B	SPCC	
32	121-151-18	Packing	1	P.C.80xd50	CR	*
33	203-058-11	Ball	1	d28	SS	
34	140-488-16	Hex.Bolt (w/Spring Washer)	4	M8x30	SUS304	
35	214-000-03	Blind Cover	1	22-4BG3	FC	

PARTS LIST		AGITATOR PUMP			4/30/2021	
ITEM	PART No.	DESCRIPTION	QTY	SIZE	MATERIAL	NOTES
36	122-128-19	O-Ring	1	G-85(84.4xd3.1)	NBR	*
37	140-102-13	Hex.Bolt	6	M12x55	SUS304	
38	142-165-10	Spring Washer	6	M12	SUS304	
39	142-000-47	Washer	6	M12(d12.5xd25.5x5t)	SUS304	
40	121-513-12	Seal Packing	6	d11.5xd21x4t	CR	*
41	217-000-22	Fixing Plate	1	DL-30C	FC	
42	122-256-17	O-Ring	1	390xd5.7	NBR	*
43	122-158-18	O-Ring	1	G-270(269.3xd5.7)	NBR	*
44	035-113-18	Oil Plug	1	M12x14	SUS304	
45	121-247-12	Packing	1	d12.3xd18x2t	PE	*
46	140-100-11	Hex.Bolt	6	M12x45	SUS304	
47	142-165-10	Spring Washer	6	M12	SUS304	
48	050-000-73	Motor Bracket	1		FC	
49	122-160-13	O-Ring	1	G-290(289.3xd5.7)	NBR	*
50	142-000-70	Wave Washer	1	d83xd99x0.9t	SK5	
51	052-000-36	Bearing	1	AC-6309ZZC3		
52	016-000-04	Lead Wire Protection Bush	2	d21xd52x11t	SBR	
53	058-000-21	Lead Wire Protection Plate	1	d114xd290x3t	SPCC	
54	065-000-50	Outer Cover	1	DL-30C,474L	SGP	
55	055-003-32	Rotor	1Set			
56	147-000-72	Impeller Key	1	14x9x40	SUS420	
57	053-001-67	Motor Protector	3	YS11A135A-D20	(H)	
58	056-005-27	Stator 460V-60Hz(USA)	1Set			
58	056-005-29	Stator 575V-60Hz(USA)	1Set			
59	064-000-96	Motor Frame	1		FC	
60	140-102-13	Hex.Bolt	6	M12x55	SUS304	
61	142-165-10	Spring Washer	6	M12	SUS304	
62	142-427-13	Seal Washer	2	WD-12	SPC+NBR	
63	140-000-69	Hex.Bolt	2	M12x25	SS	
64	122-160-13	O-Ring	1	G-290(289.3xd5.7)	NBR	*
65	140-000-68	Hex.Bolt	4	M8x20	SS	
66	062-000-16	Bearing Fixing Plate	1	6312(d118xd170x4.5t)	SS	
67	052-143-23	Bearing	1Set	6312ZZD2C3		
68	146-034-11	Retaining Ring	1	C60	SK5	
69	122-256-17	O-Ring	1	390xd5.7	NBR	
70	140-129-16	Hex.Bolt	6	M16x65	SUS304	
71	142-166-11	Spring Washer	6	M16	SUS304	

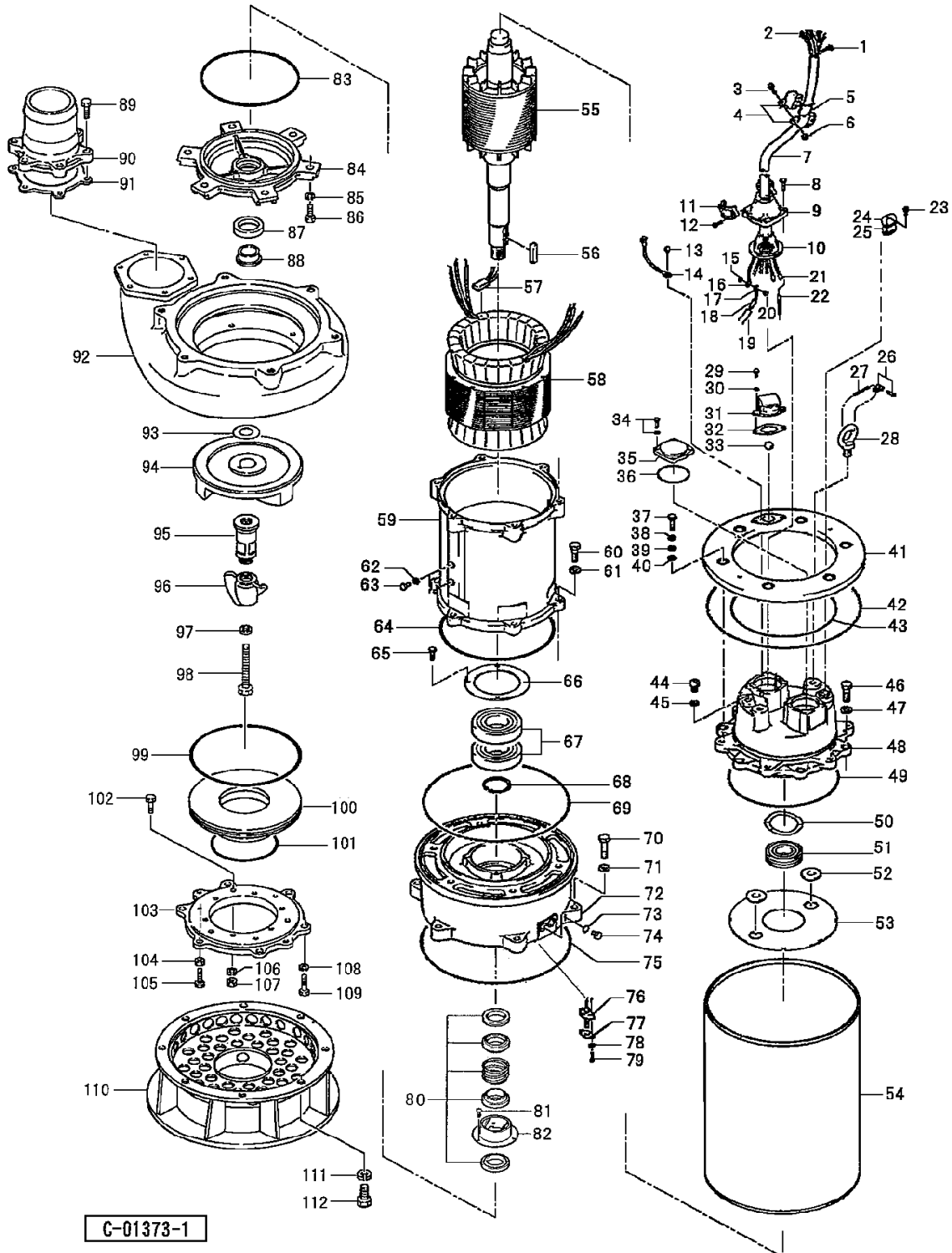
PARTS LIST		AGITATOR PUMP				4/30/2021
ITEM	PART No.	DESCRIPTION	QTY	SIZE	MATERIAL	NOTES
72	060-001-83	Bearing Housing	1	GPN622-51/61	FC	
73	122-259-10	O-Ring	2	12xd3	NBR	*
74	035-102-30	Oil Plug	2	M12x16(B=21)	SUS304	
75	122-256-17	O-Ring	1	390xd5.7	NBR	*
76	090-122-11	Leakage Sensor(Electrode)/w Gland	1Set	d9x43L	SUS	
77	003-151-19	Gland(for Leak Sensor)	1		SPC	
78	142-161-32	Spring Washer	2	M5	SWRH	
79	140-000-67	Hex.Bolt	2	M5x20	SS	
80	025-000-64	Mechanical Seal	1	H-50X(E)	SIC	
81	143-028-13	Pan Screw	3	M5x10	SWRM	
82	030-133-19	Oil Lifter	1	H-50(T)	SPCC	
83	122-261-15	O-Ring (Brg.Housing/O.Casing)	1	255xd3.8	NBR	*
84	029-000-94	Oil Casing	1	GPN422	FC	
85	142-165-10	Spring Washer	6	M12	SUS304	
86	140-098-15	Hex.Bolt	6	M12x35	SUS304	
87	026-115-12	Oil Seal	1	TC-608212	NBR	
88	071-000-61	Shaft Sleeve	1	GPN622-51/61	SUS403	
89	140-101-12	Hex.Bolt	6	M12x50	SUS304	
90	032-405-11	Hose Coupling 4"	1	NPT-4 (PC196)	FC	GPN422
90	032-297-18	Hose Coupling 6"	1	NPT-6 (PC196)	FC	GPN622
91	121-184-10	Packing	1	NKZ-6	NBR	*
92	020-003-18	Pump Casing	1	GPN622-51/61	FC	
93	040-123-17	Impeller Shim		d45.2xd59x0.3t	SUS304	
94	021-010-29	Impeller (60Hz) GPN422-61	1	GPN422-61	HiCrFC	GPN422
94	021-009-79	Impeller (60Hz) GPN622-61	1	GPN622-61	HiCrFC	GPN622
95	024-000-05	Connection Rod	1	GPN622-51/61	FCMB	
96	024-120-14	Agitator	1	GPN-80	HiCrFC	
97	142-130-29	Plain Washer	1	M16	SPC	
98	140-140-13	Hex.Bolt	1	M16x150	SUS304	
99	122-270-17	O-Ring	1	350xd5.7	NBR	*
100	033-000-03	Suction Plate	1	GPN622-51/61	HiCrFC	
101	122-270-17	O-Ring	1	350xd5.7	NBR	
102	140-001-09	Square Bolt	3	M8x40	SUS304	
103	022-001-85	Suction Cover	1	GPN622-51/61	FC	
104	141-005-18	Hex.Nut	3	M8	SUS304	
105	140-058-42	Hex.Bolt	3	M8x40	SUS304	
106	142-163-18	Spring Washer	3	M8	SUS304	

PARTS LIST		AGITATOR PUMP			4/30/2021	
ITEM	PART No.	DESCRIPTION	QTY	SIZE	MATERIAL	NOTES
107	141-005-18	Hex.Nut	3	M8	SUS304	
108	142-165-10	Spring Washer	6	M12	SUS304	
109	140-098-15	Hex.Bolt	6	M12x35	SUS304	
110	023-001-83	Strainer Stand	1	GPN622-51/61	SGP+SPC	
111	142-166-11	Spring Washer	8	M16	SUS304	
112	140-124-11	Hex.Bolt	8	M16x40	SUS304	
	173-003-45	<b>Packing O-Ring Set</b>	1Set	(Marked by *)		
32	121-151-18	Packing (Air Release Valve)	1	P.C.80xd50	CR	*
36	122-128-19	O-Ring (Blind Cover)	1	G-85(84.4xd3.1)	NBR	*
40	121-513-12	Seal Packing (M.Bracket Bolt)	6	d11.5xd21x4t	CR	*
42	122-256-17	O-Ring (Fixing Plate/Out.Cover)	1	390xd5.7	NBR	*
43	122-158-18	O-Ring (Fixing Plate/M.Bracket)	1	G-270(269.3xd5.7)	NBR	*
45	121-247-12	Packing (Air Tightness Test Plug)	1	d12.3xd18x2t	PE	*
49	122-160-13	O-Ring (M.Bracket/M.Frame)	1	G-290(289.3xd5.7)	NBR	*
64	122-160-13	O-Ring (M.Frame/Brg.Housing)	1	G-290(289.3xd5.7)	NBR	*
73	122-259-10	O-Ring (Oil Plug)	2	12xd3	NBR	*
75	122-256-17	O-Ring (Brg.Housing/P.Casing)	1	390xd5.7	NBR	*
83	122-261-15	O-Ring (Brg.Housing/O.Casing)	1	255xd3.8	NBR	*
91	121-184-10	Packing (Hose Coupling)	1	NKZ-6	NBR	*
99	122-270-17	O-Ring (P.Casing/Suction Plate)	1	350xd5.7	NBR	*
		Lubricant		Turbine Oil VG32 3,600ml		

PARTS LIST		AGITATOR PUMP			4/30/2021	
ITEM	PART No.	DESCRIPTION	QTY	SIZE	MATERIAL	NOTES

## EXPLODED VIEW

GPN622-61



C-01373-1





MODEL **GPN422-61**  
**GPN622-61**

PARTS LIST		AGITATOR PUMP					4/30/2021
ITEM	PART No.	DESCRIPTION	QTY	SIZE	MATERIAL	NOTES	